

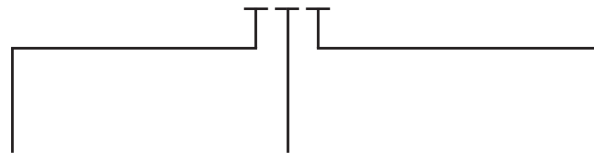
# Lance Industries Standard Crowfoot Line

Part #	Max. Hex (MM)	Max. Torque (NM)	# of Gears	A (MM)	B (MM)	C (MM)	Square Drive
KCF23Y10	19	80	3	59.2	20	20	½"
KCF24Y10		72	4	88.0			
KCF25Y10		64	5	116.8			
KCF33Y10	19	55	3	59.2	20	15	½"
KCF34Y10		50	4	88.0			
KCF35Y10		44	5	116.8			
KCF43V10	16	65	3	56.0	18	20	½"
KCF44V10		58	4	83.2			
KCF45V10		52	5	110.4			
KCF53V10	16	45	3	54.2	17	15	3/8"
KCF54V10		40	4	81.3			
KCF55V10		36	5	108.4			
KCF63S10	13	45	3	40.6	14	20	3/8"
KCF64S10		40	4	61.0			
KCF65S10		36	5	79.0			
KCF73S10	13	30	3	40.6	14	15	3/8"
KCF74S10		27	4	61.0			
KCF75S10		24	5	79.0			
KCF83P10	10	30	3	35.6	11	20	3/8"
KCF84P10		27	4	53.4			
KCF85P10		24	5	71.2			
KCF93P10	10	20	3	35.6	11	15	3/8"
KCF94P10		18	4	53.4			
KCF95P10		16	5	71.2			

CROWFOOT PART # CODE  
LAST THREE DIGITS CONTROL OUTPUT SOCKET

EXAMPLE:

K C F 2 3 A 1 0



OUTPUT SIZE

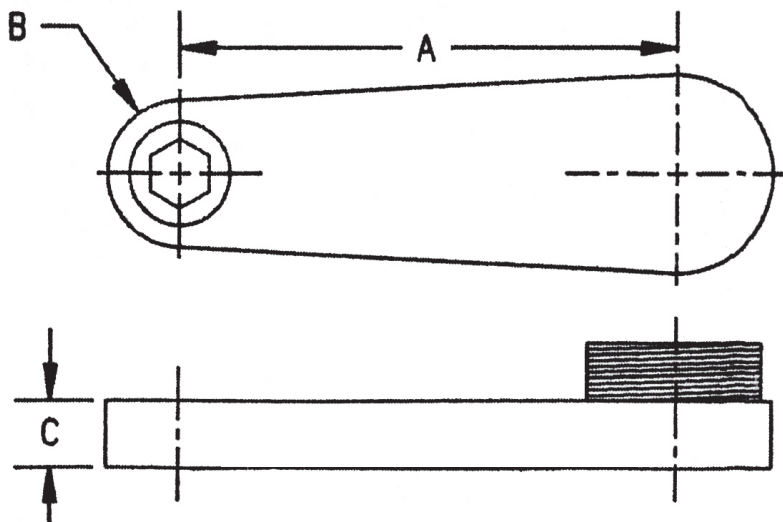
- A - ¼
- B - 5/16
- C - 3/8
- D - 7/16
- E - ½
- F - 9/16
- G - 5/8
- H - 11/16
- I - 3/4
- M - 7MM
- N - 8MM
- O - 9MM
- P - 10MM
- Q - 11MM
- R - 12MM
- S - 13MM
- T - 14MM
- U - 15MM
- V - 16MM
- W - 17MM
- X - 18MM
- Y - 19MM

OUTPUT TYPE

- 0 - PARTIAL THRU HEX
- 1 - THRU HEX
- 2 - DOUBLE HEX
- 3 - OD SQUARE
- 4 - ID SQUARE

EXTENSION LENGTH (IN.)

- 0 - FLUSH
- 1 - 1/8
- 2 - 1/4
- 3 - 3/8
- 4 - 1/2
- 5 - 5/8
- 6 - 3/4



NOTE: 4 GEAR WILL RUN IN REVERSE ROTATION OF TOOL



1260 Kemper  
Madison Heights, MI 48071  
P: (248)-549-1968  
F:(248) 549-1960  
matt.floore@lancetools.com